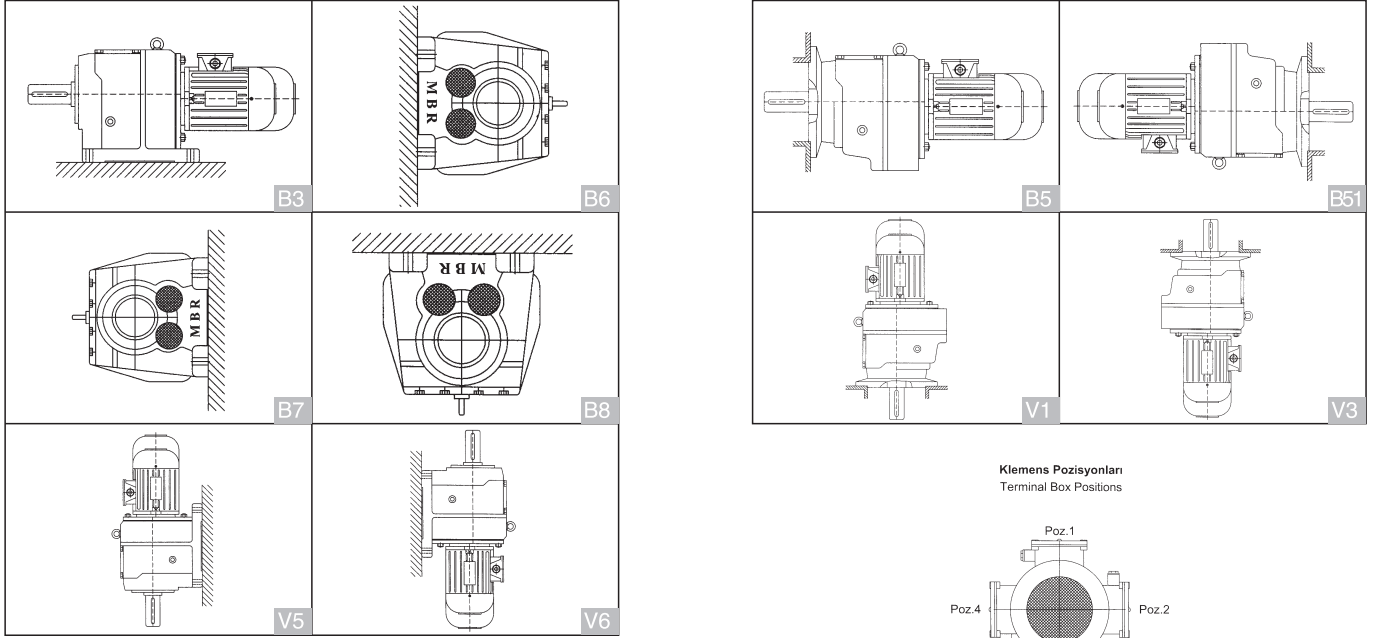


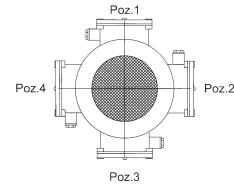
BİZCANLI

REDÜKTÖR

MONOBLOK AYAKLI REDÜKTÖR MONTAJ POZİSYONLARI MOUNTING POSITIONS EINBAULAGEN



Klemens Pozisyonları
Terminal Box Positions



Yağ Miktarları (lt.) • Oil Quantities (lt.)

İki - Üç Kademeli Helisel Dişli Monoblok - Double - Triple Reduction Helical Monoblock Types

| Tip Type | B 3 | B 5 | B 5 1 | B 6 - B 7 | B 8 | V 1 | V 3 | V 5 | V 6 |
|--------------|------|------|-------|-----------|------|------|------|------|------|
| MBR 002-003 | 0,4 | - | - | 0,4 | 0,4 | - | - | 0,5 | 0,5 |
| MBR 102-103 | 0,6 | - | - | 0,6 | 0,6 | - | - | 0,83 | 0,83 |
| MBR 172-173 | 0,65 | - | - | 0,65 | 0,65 | - | - | 0,85 | 0,85 |
| MBR 202-203 | 1,4 | - | - | 1,4 | 1,4 | - | - | 1,9 | 1,9 |
| MBR 272-273 | 1,2 | - | - | 1,2 | 1,2 | - | - | 1,75 | 1,75 |
| MBR 282-283 | 1,9 | - | - | 1,9 | 1,9 | - | - | 2,8 | 2,8 |
| MBR 372-373 | 2,6 | - | - | 2,6 | 2,6 | - | - | 3,1 | 3,1 |
| MBR 472-473 | 5,0 | - | - | 5,0 | 5,0 | - | - | 7,0 | 7,0 |
| MBR 502-503 | - | 7,0 | 7,0 | - | - | 7,0 | 7,0 | - | - |
| MBR 602-603 | - | 9,0 | 9,0 | - | - | 9,0 | 9,0 | - | - |
| MBR 702-703 | - | 18,0 | 18,0 | - | - | 18,0 | 18,0 | - | - |
| MBRF 002-003 | - | 0,5 | 0,5 | - | - | 0,5 | 0,5 | - | - |
| MBRF 102-103 | - | 0,83 | 0,83 | - | - | 0,83 | 0,83 | - | - |
| MBRF 172-173 | - | 0,85 | 0,85 | - | - | 0,85 | 0,85 | - | - |
| MBRF 202-003 | - | 1,9 | 1,9 | - | - | 1,9 | 1,9 | - | - |
| MBRF 272-273 | - | 1,75 | 1,75 | - | - | 1,75 | 1,75 | - | - |
| MBRF 282-283 | - | 2,8 | 2,8 | - | - | 2,8 | 2,8 | - | - |
| MBRF 372-373 | - | 3,1 | 3,1 | - | - | 3,1 | 3,1 | - | - |
| MBRF 472-473 | - | 7,0 | 7,0 | - | - | 7,0 | 7,0 | - | - |
| MBRF 502-503 | - | 8,0 | 8,0 | - | - | 8,0 | 8,0 | - | - |
| MBRF 602-603 | - | 10,0 | 10,0 | - | - | 10,0 | 10,0 | - | - |
| MBRF 702-703 | - | 20,0 | 20,0 | - | - | 20,0 | 20,0 | - | - |