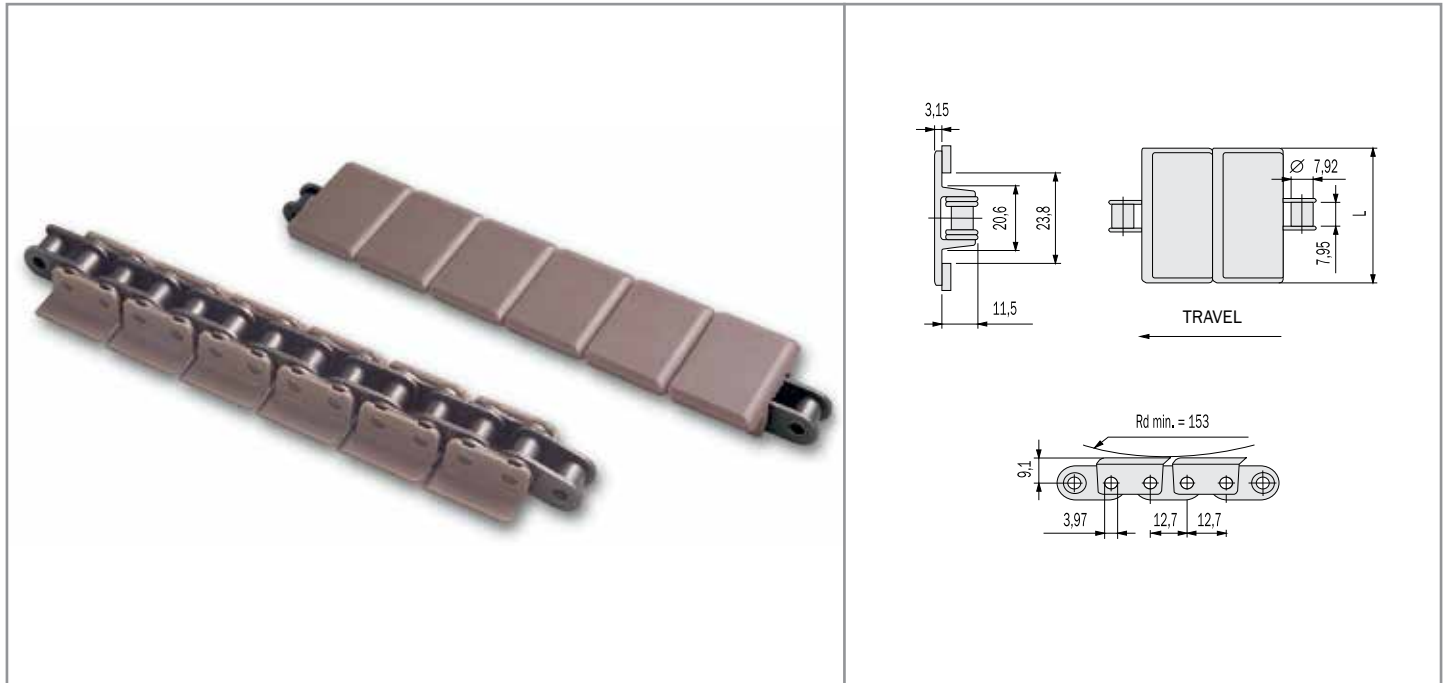


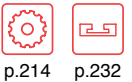
straight running chains

WITH THERMOPLASTIC TOP PLATES - 843 SERIES



LFA 843 - LOW FRICTION ACETAL RESIN

- Plates in self-lubricating low friction acetal resin, light brown-coloured.
- Base roller chain, 12.7 mm - 1/2" pitch. - ANSI 43

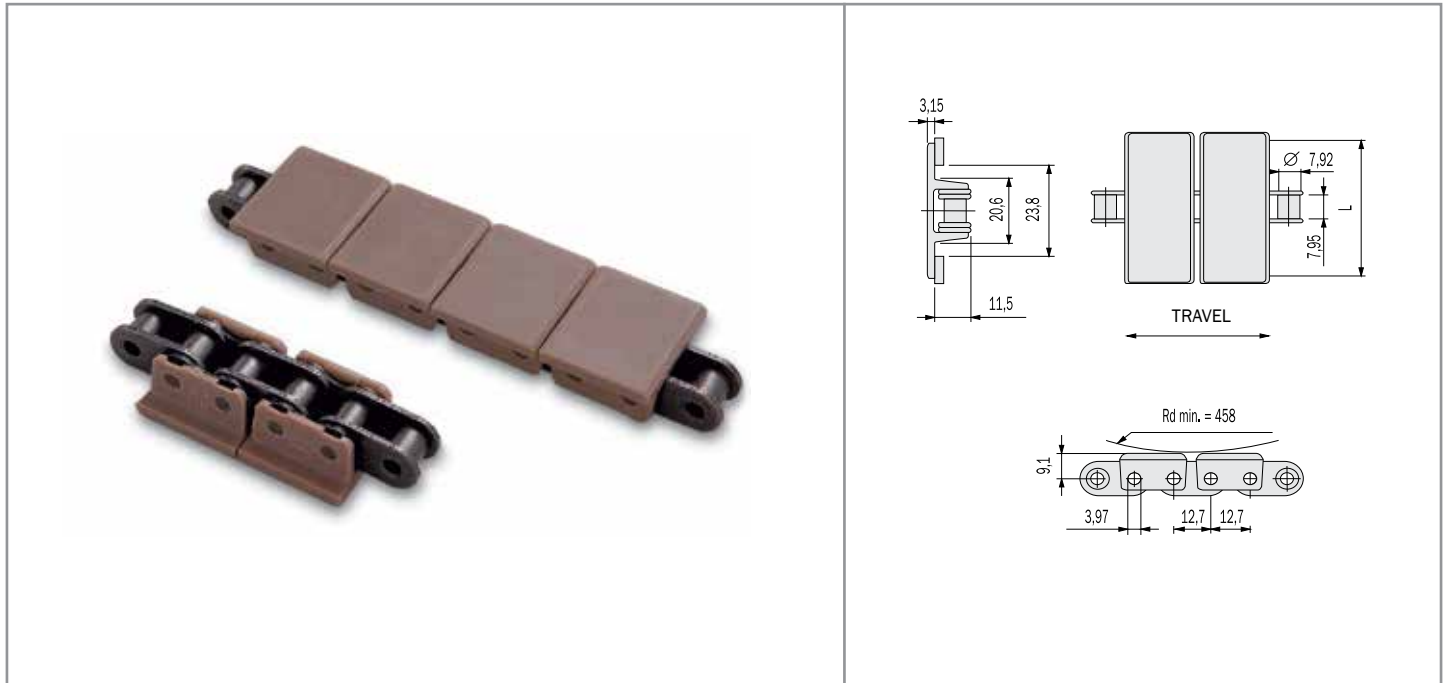


PRODUCT CODE	INTERNAL CODE	CHARACTERISTICS			
		Base roller chain	Width L (mm)	Working load Max N (25 °C)	Weight kg/m
LFA 843 K138	843.AC.138	steel	34.9	3500	0.83
LFA 843 K144	843.AC.144	steel	36.5	3500	0.84
LFA 843 K200	843.AC.010	steel	50.8	3500	0.89
LFA 843 K250	843.AC.020	steel	63.5	3500	0.92
LFA 843 K275*	843.AC.200	steel	69.9	3500	0.94
LFA 843 K325	843.AC.040	steel	82.5	3500	1.03
LFA 843 SS K138	843.AS.138	stainless steel	34.9	2700	0.83
LFA 843 SS K144	843.AS.144	stainless steel	36.5	2700	0.84
LFA 843 SS K200	843.AS.010	stainless steel	50.8	2700	0.89
LFA 843 SS K250	843.AS.020	stainless steel	63.5	2700	0.92
LFA 843 SS K275*	843.AS.200	stainless steel	69.9	2700	0.94
LFA 843 SS K325	843.AS.040	stainless steel	82.5	2700	1.03

* Size produced only upon request. Delivery conditions and terms to be agreed.
 - Standard shipping lengths = 240 pitches = 10 feet = 3,048 metres.



straight running chains

WITH THERMOPLASTIC TOP PLATES - 845 SERIES



LFA 845 - LOW FRICTION ACETAL RESIN

- Plates in self-lubricating low friction acetal resin, light brown-coloured.
- Base roller chain, 12.7 mm - 1/2" pitch. - ANSI 43

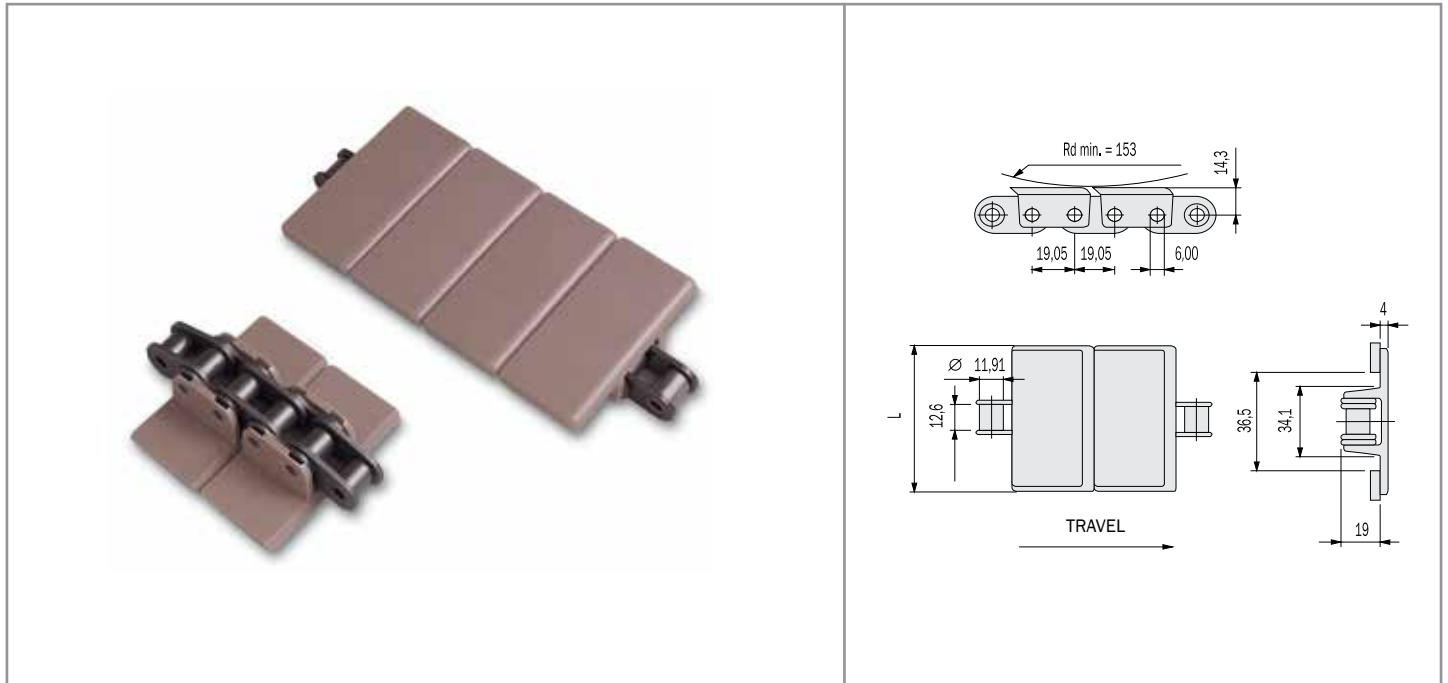
 
p.214 p.232

PRODUCT CODE	INTERNAL CODE	CHARACTERISTICS			
		Base roller chain	Width L (mm)	Working load Max N (25 °C)	Weight kg/m
LFA 845 K118*	845.AC.118	steel	28.6	3500	0.85
LFA 845 K138	845.AC.138	steel	34.9	3500	0.89
LFA 845 K200*	845.AC.010	steel	50.8	3500	0.99
LFA 845 SS K118*	845.AS.118	stainless steel	28.6	2700	0.85
LFA 845 SS K138*	845.AS.138	stainless steel	34.9	2700	0.89
LFA 845 SS K200*	845.AS.010	stainless steel	50.8	2700	0.99

* Size produced only upon request. Delivery conditions and terms to be agreed.
- Standard shipping lengths = 240 pitches = 10 feet = 3,048 metres.

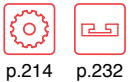
straight running chains

WITH THERMOPLASTIC TOP PLATES - 863 SERIES



LFA 863 - LOW FRICTION ACETAL RESIN

- Plates in self-lubricating low friction acetal resin, light brown-coloured.
- Base roller chain, 19.05 mm - 3/4" pitch. - ANSI 63

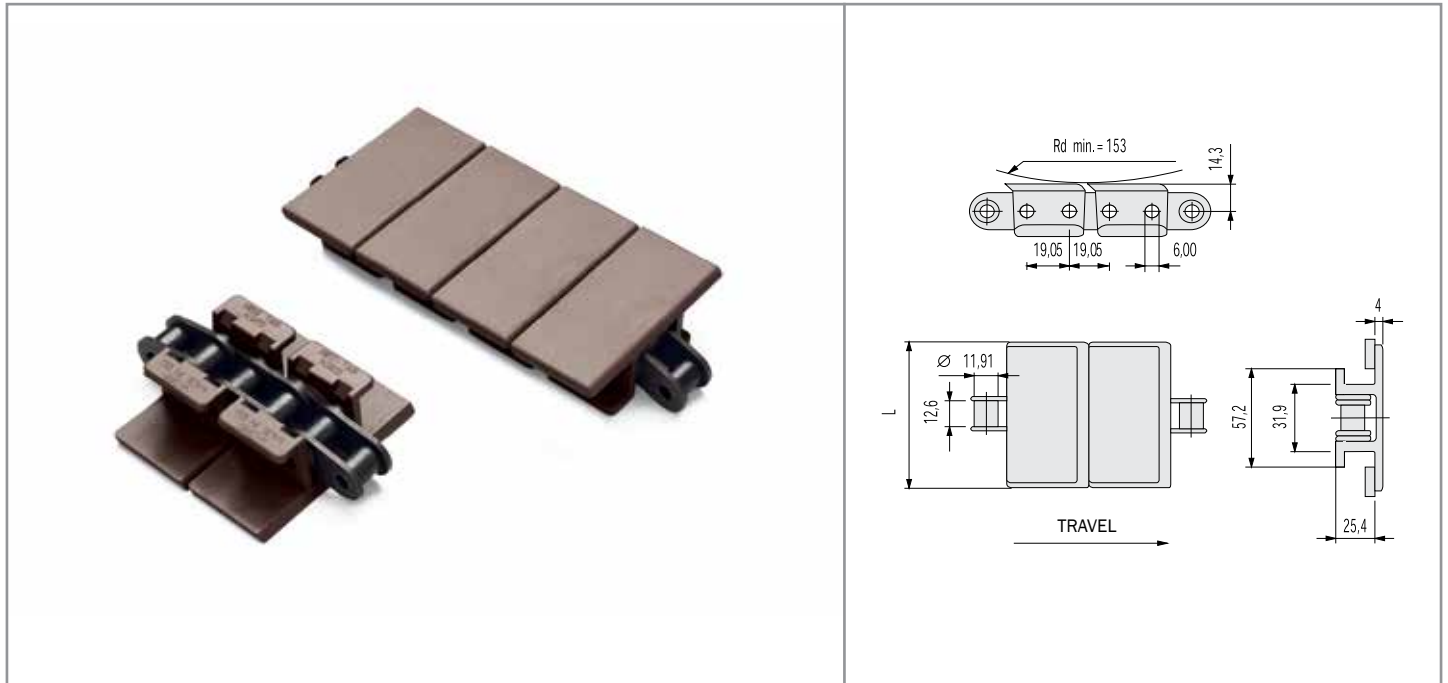


PRODUCT CODE	INTERNAL CODE	CHARACTERISTICS			
		Base roller chain	Width L (mm)	Working load Max N (25 °C)	Weight kg/m
LFA 863 K175*	863.AC.300	steel	44.5	5500	1.8
LFA 863 K225	863.AC.015	steel	57.1	5500	1.9
LFA 863 K250*	863.AC.020	steel	63.5	5500	2.0
LFA 863 K325	863.AC.040	steel	82.5	5500	2.1
LFA 863 K450	863.AC.080	steel	114.3	5500	2.3
LFA 863 K600	863.AC.100	steel	152.4	5500	2.5
LFA 863 K750	863.AC.110	steel	190.5	5500	2.7
LFA 863 SS K175*	863.AS.300	stainless steel	44.5	4500	1.8
LFA 863 SS K225	863.AS.015	stainless steel	57.1	4500	1.9
LFA 863 SS K250*	863.AS.020	stainless steel	63.5	4500	2.0
LFA 863 SS K325	863.AS.040	stainless steel	82.5	4500	2.1
LFA 863 SS K450	863.AS.080	stainless steel	114.3	4500	2.3
LFA 863 SS K600	863.AS.100	stainless steel	152.4	4500	2.5
LFA 863 SS K750	863.AS.110	stainless steel	190.5	4500	2.7

* Size produced only upon request. Delivery conditions and terms to be agreed.
 - Standard shipping lengths = 160 pitches = 10 feet = 3,048 metres.

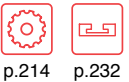
straight running chains

WITH THERMOPLASTIC TOP PLATES - 863 TAB SERIES



LFA 863 TAB - LOW FRICTION ACETAL RESIN

- Plates in self-lubricating low friction acetal resin, light brown-coloured.
- Base roller chain, 19.05 mm - 3/4" pitch. - ANSI 63

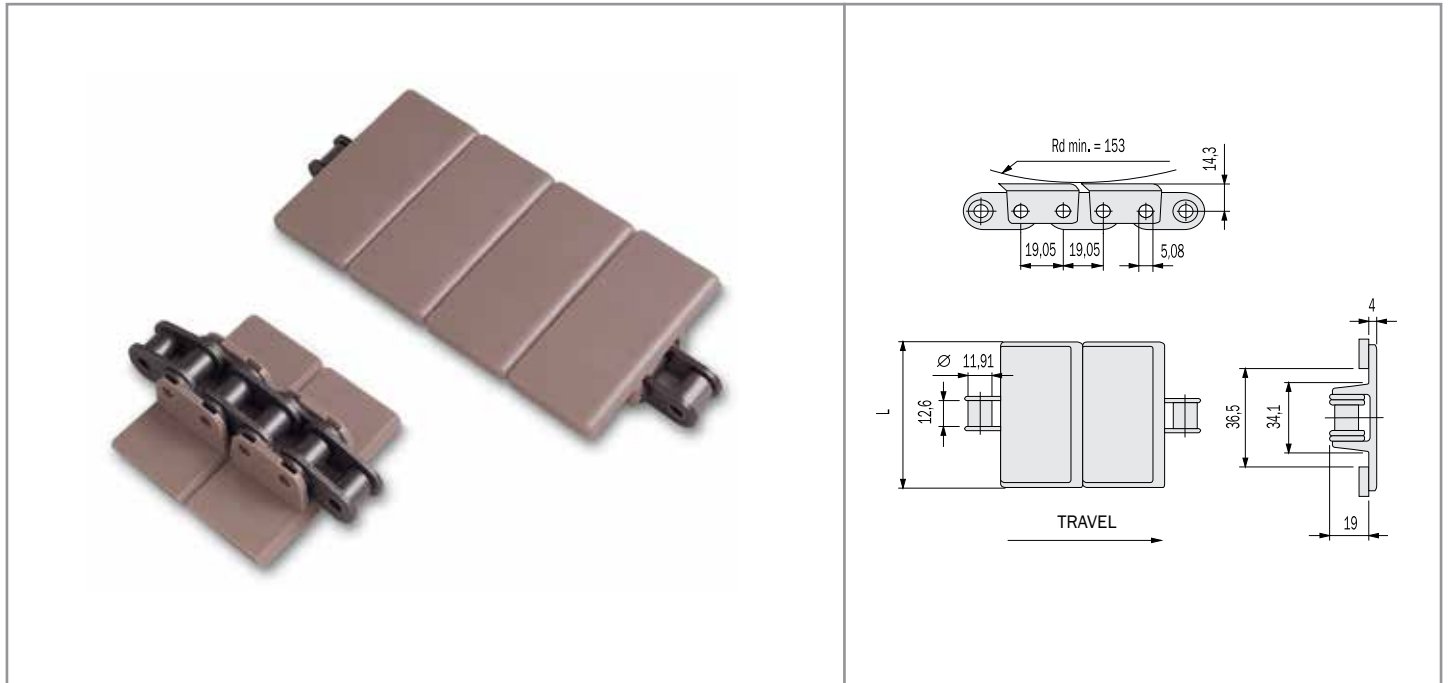


PRODUCT CODE	INTERNAL CODE	CHARACTERISTICS			
		Base roller chain	Width L (mm)	Working load Max N (25 °C)	Weight kg/m
LFA 863 TAB K250	863.AC.021	steel	63.5	5500	2.10
LFA 863 TAB K325	863.AC.041	steel	82.5	5500	2.20
LFA 863 TAB K450	863.AC.081	steel	114.3	5500	2.40
LFA 863 TAB K600	863.AC.101	steel	152.4	5500	2.60
LFA 863 TAB K1000	863.AC.121	steel	254.0	5500	3.10
LFA 863 TAB SS K250	863.AS.021	stainless steel	63.5	4500	2.10
LFA 863 TAB SS K325	863.AS.041	stainless steel	82.5	4500	2.20
LFA 863 TAB SS K450	863.AS.081	stainless steel	114.3	4500	2.40
LFA 863 TAB SS K600	863.AS.101	stainless steel	152.4	4500	2.60
LFA 863 TAB SS K1000	863.AS.121	stainless steel	254.0	4500	3.10

- Standard shipping lengths = 160 pitches = 10 feet = 3,048 metres.

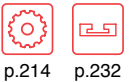
straight running chains

WITH THERMOPLASTIC TOP PLATES - 963 SERIES



LFA 963 - LOW FRICTION ACETAL RESIN

- Plates in self-lubricating low friction acetal resin, light brown-coloured.
- Base roller chain, 19.05 mm - 3/4" pitch. - ANSI 63 SB

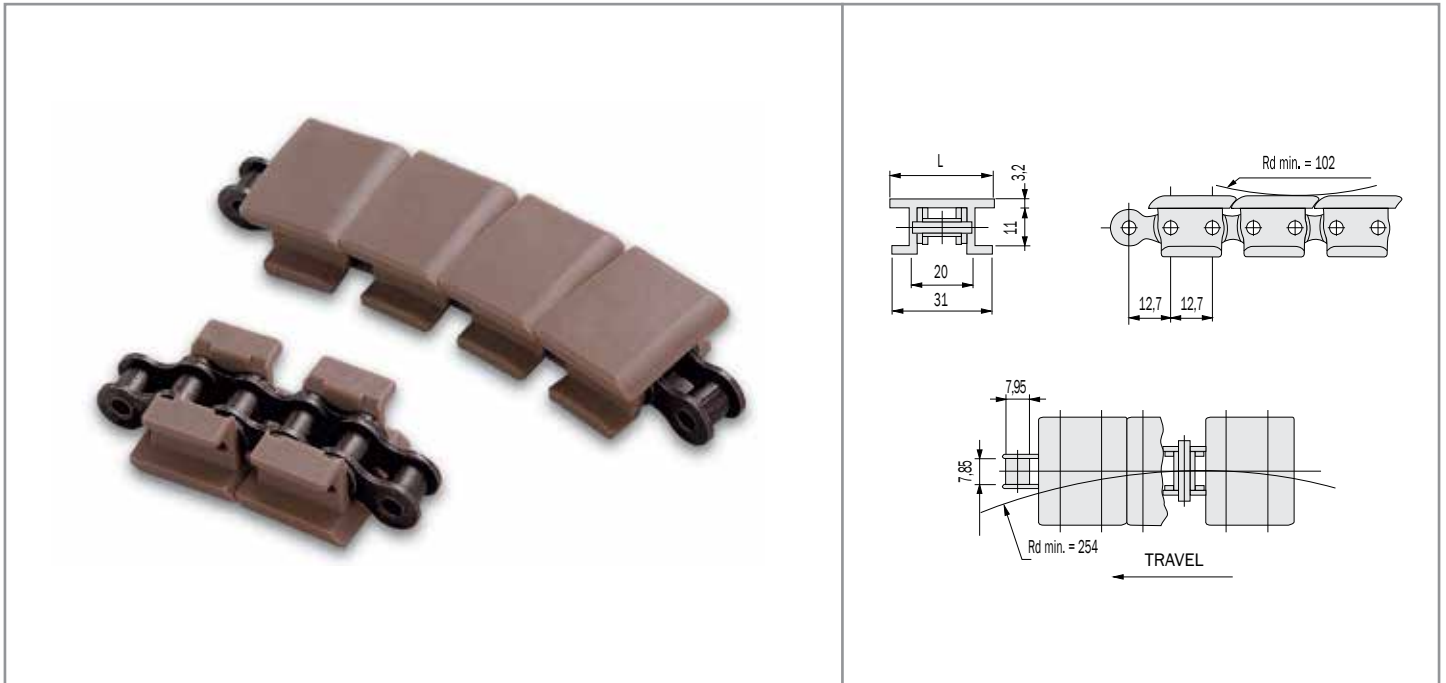


PRODUCT CODE	INTERNAL CODE	CHARACTERISTICS			
		Base roller chain	Width L (mm)	Working load Max N (25 °C)	Weight kg/m
LFA 963 K325	963.AC.040	steel	82.5	4500	2.10
LFA 963 K450	963.AC.080	steel	114.3	4500	2.23
LFA 963 K600	963.AC.100	steel	152.4	4500	2.53
LFA 963 K750	963.AC.110	steel	190.5	4500	2.68
LFA 963 SS K325	963.AS.040	stainless steel	82.5	3500	2.10
LFA 963 SS K450	963.AS.080	stainless steel	114.3	3500	2.23
LFA 963 SS K600	963.AS.100	stainless steel	152.4	3500	2.53
LFA 963 SS K750	963.AS.110	stainless steel	190.5	3500	2.68

- Standard shipping lengths = 160 pitches = 10 feet = 3,048 metres.

sideflexing chains

WITH THERMOPLASTIC TOP PLATES - 1843 TAB SERIES



LFA 1843 TAB - LOW FRICTION ACETAL RESIN

- Plates in self-lubricating low friction acetal resin, light brown-coloured.
- Base roller chain, 12.7 mm - 1/2" pitch. - ANSI 43 SB



p.214

p.226

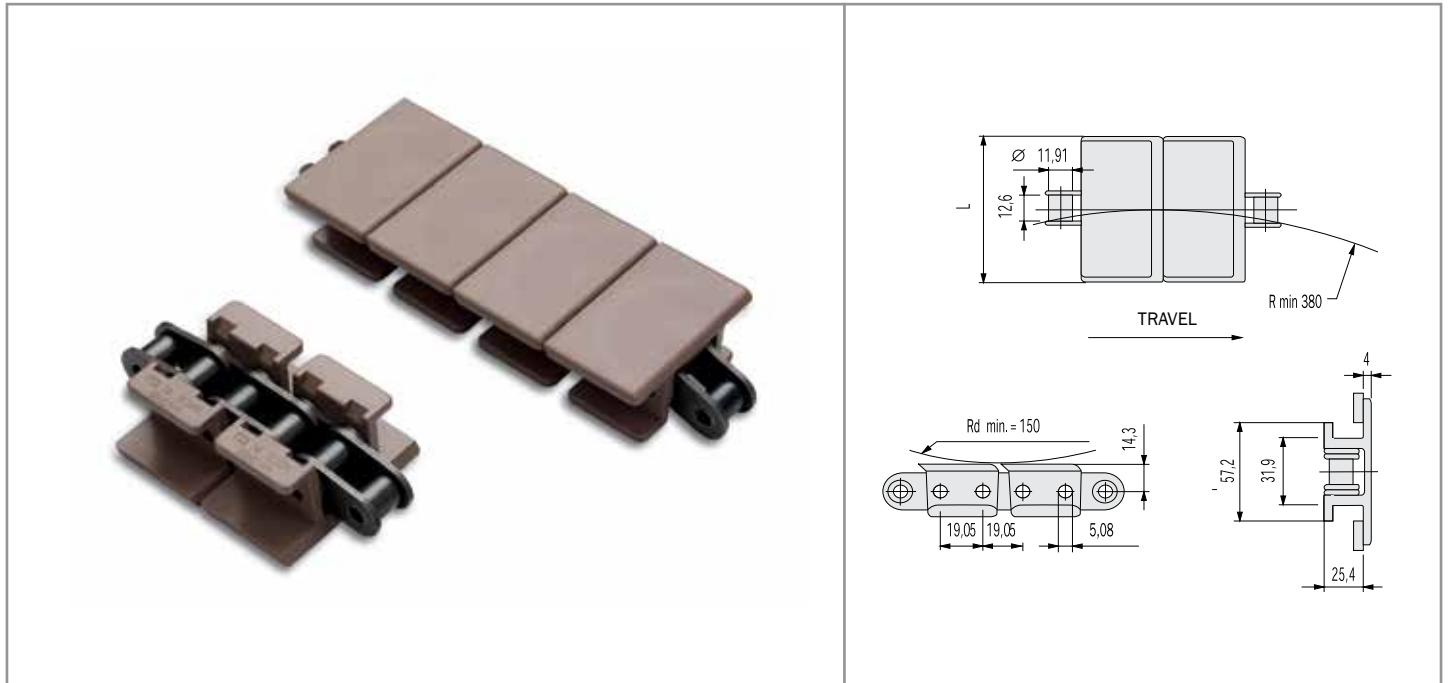
p.228

PRODUCT CODE	INTERNAL CODE	CHARACTERISTICS			
		Base roller chain	Width L (mm)	Working load Max N (25 °C)	Weight kg/m
LFA 1843 TAB K125	1843.AC.280	steel	31.8	2600	0.74
LFA 1843 TAB K200	1843.AC.010	steel	50.8	2600	0.89
LFA 1843 TAB K325	1843.AC.041	steel	82.5	2600	1.03
LFA 1843 TAB SS K125	1843.AS.280	stainless steel	31.8	2000	0.74
LFA 1843 TAB SS K200	1843.AS.010	stainless steel	50.8	2000	0.89
LFA 1843 TAB SS K325	1843.AS.041	stainless steel	82.5	2000	1.03

- Standard shipping lengths = 240 pitches = 10 feet = 3,048 metres.

sideflexing chains

WITH THERMOPLASTIC TOP PLATES - 1863 TAB SERIES



LFA 1863 TAB - LOW FRICTION ACETAL RESIN

- Plates in self-lubricating low friction acetal resin, light brown-coloured.
- Base roller chain, 19.05 mm - 3/4" pitch. - ANSI 63 SB

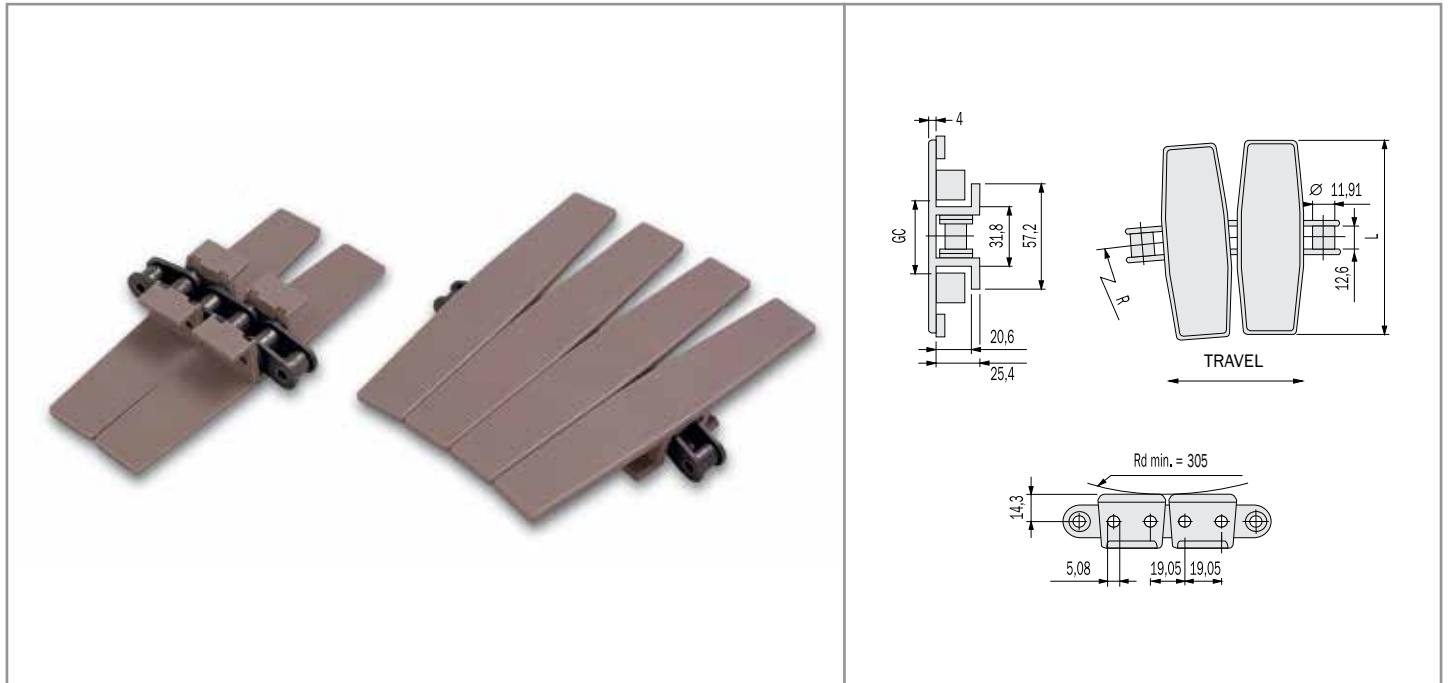


PRODUCT CODE	INTERNAL CODE	CHARACTERISTICS			
		Base roller chain	Width L (mm)	Working load Max N (25 °C)	Weight kg/m
LFA 1863 TAB K225	1863.AC.016	steel	57.1	5500	2.00
LFA 1863 TAB SS K225	1863.AS.016	stainless steel	57.1	4500	2.00

- Standard shipping lengths = 160 pitches = 10 feet = 3,048 metres.

sideflexing chains

WITH THERMOPLASTIC TOP PLATES - 1873 TAB SERIES



LFA 1873 TAB - LOW FRICTION ACETAL RESIN

- Plates in self-lubricating low friction acetal resin, light brown-coloured.
- Base roller chain, 19.05 mm - 3/4" pitch. - ANSI 63 SB



p.214

p.225

p.228

PRODUCT CODE	INTERNAL CODE	CHARACTERISTICS						
		Base roller chain	Width L (mm)	Radius R (mm)	GC st. (mm)	GC sid. (mm)	Working load Max N (25 °C)	Weight kg/m
LFA 1873 TAB K325	1873.AC.041	steel	82.5	356	33.3	34.6	5500	2.10
LFA 1873 TAB K450	1873.AC.081	steel	114.3	356	33.3	34.6	5500	2.30
LFA 1873 TAB K600	1873.AC.101	steel	152.4	457	33.3	34.6	5500	2.40
LFA 1873 TAB K750	1873.AC.111	steel	190.5	457	33.3	34.6	5500	2.60
LFA 1873 TAB K1000	1873.AC.121	steel	254.0	457	33.3	34.6	5500	2.80
LFA 1873 TAB K1200	1873.AC.131	steel	304.8	610	33.3	34.6	5500	3.00
LFA 1873 TAB SS K325	1873.AS.041	stainless steel	82.5	356	33.3	34.6	4500	2.10
LFA 1873 TAB SS K450	1873.AS.081	stainless steel	114.3	356	33.3	34.6	4500	2.30
LFA 1873 TAB SS K600	1873.AS.101	stainless steel	152.4	457	33.3	34.6	4500	2.40
LFA 1873 TAB SS K750	1873.AS.111	stainless steel	190.5	457	33.3	34.6	4500	2.60
LFA 1873 TAB SS K1000	1873.AS.121	stainless steel	254.0	457	33.3	34.6	4500	2.80
LFA 1873 TAB SS K1200	1873.AS.131	stainless steel	304.8	610	33.3	34.6	4500	3.00

- Standard shipping lengths = 160 pitches = 10 feet = 3,048 metres.